

# ***Intermot Hydraulic Motors***

## ***IHM Series***

---

### ***H7 Model***

---

***IHM 5000 – 5400 – 6000 – 6300 – 7000 H7***

---

## ***INDEX***

TECHNICAL DATA	Pag. 33
IHM 5000 – 5400 – 6000	
6300 - 7000 H7	Pag. 34
ORDERING INSTRUCTIONS	Pag. 35

# IHM H7

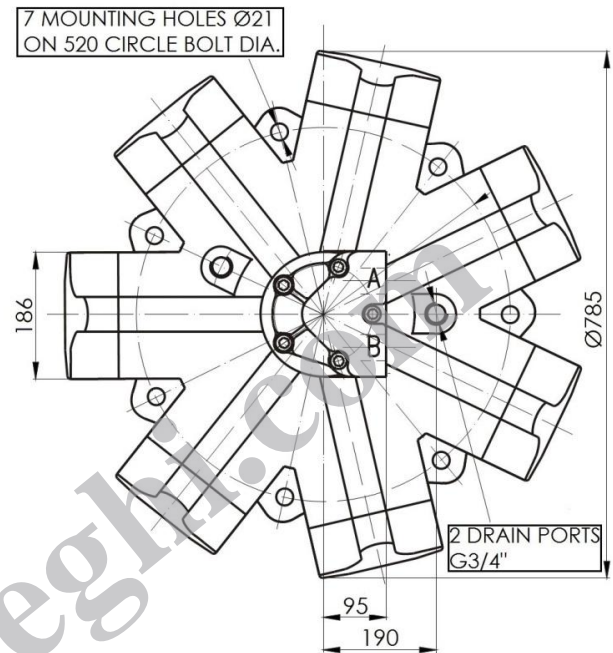
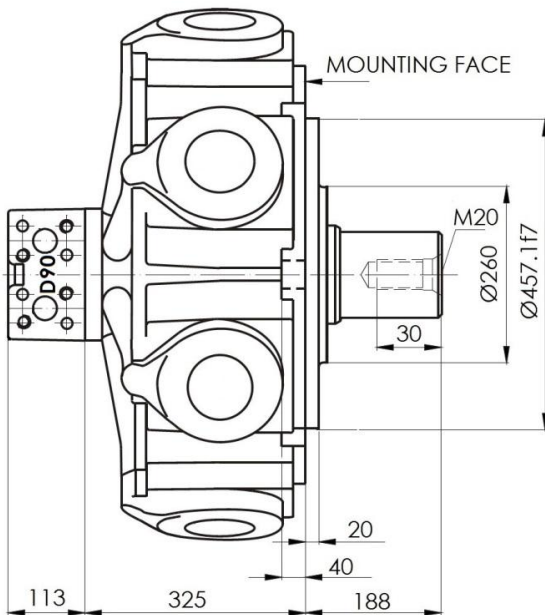
## Technical data

MODEL		N° of pistons	Displacement	Pressure		Speed		Torque		Dry Mass
				Max Cont.	Peak	Minimum speed	Max speed	Rated	Specific	
			cm3/rev	bar		rpm		Nm	Nm/MPa	kg
IHM H7	5000	7	4968	200	250	1	160	14626	731	550
	5400		5452	200	250	1	160	16125	806	
	6000		5984	200	250	0,5	125	17697	885	
	6300		6540	180	220	0,5	125	17408	967	
	7000		7122	160	200	0,5	125	16849	1053	

# IHM H7

## Dimensional drawings

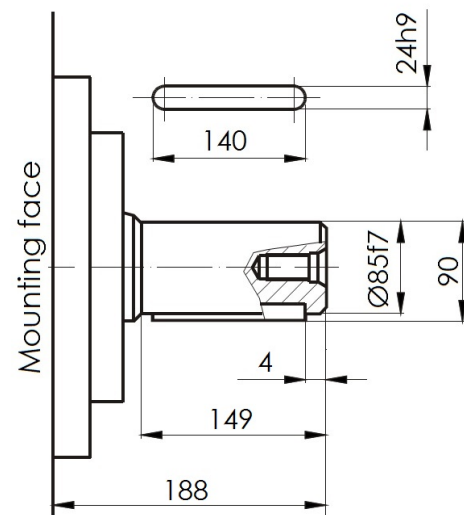
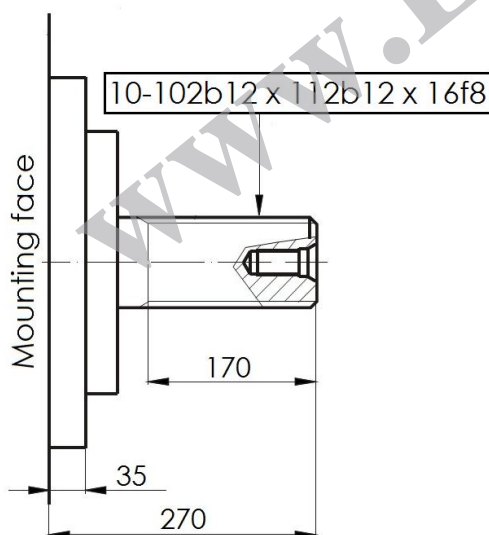
### IHM 5000 – 5400 – 6000 – 6300 – 7000 H7



### SHAFTS

A1: Standard splined shaft

A2: Parallel Shaft on Request



For further shaft configurations, please contact our technical department

# IHM H7

## Ordering instructions

IHM	_ _ _ _	H7	A _ _	D _ _
Model				
<b>Displacement</b>				
5000 cc/rev				
5400 cc/rev				
6000 cc/rev				
6300 cc/rev				
7000 cc/rev				
<b>Housing</b>				
A0 – Standard splined shaft			<b>Shaft</b>	
A2 – Parallel keyed shaft				
				<b>Distributor</b>
D90 – SAE 1 ½ " 6000 psi flange				

**EXAMPLE : IHM 5400 H7 A0 D90**

www.Laheghi.com